



STAINLESS STEEL

UNDERMOUNT SINKS

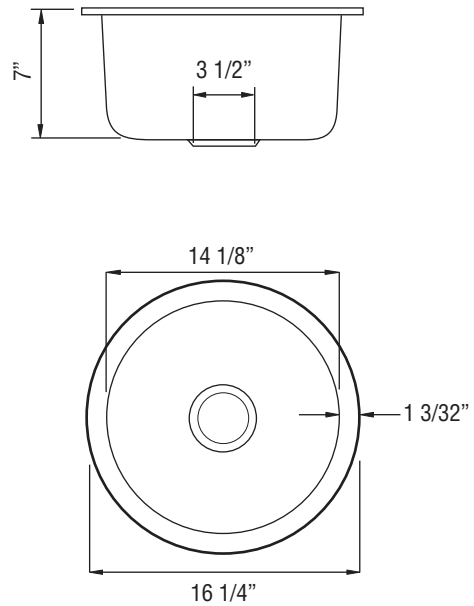


PFUR405 PFUS301

- Type 304 stainless steel
- 18 gauge
- Sound absorption pads and coating to minimize vibration and sound and increase durability

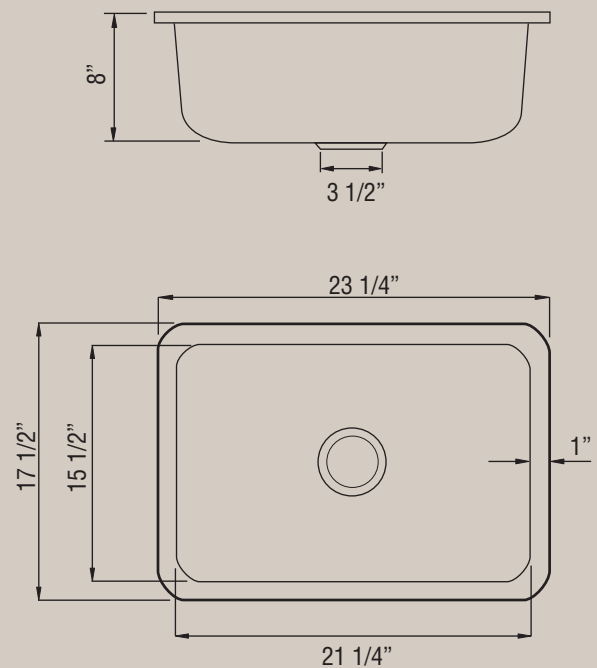
GENERAL SPECIFICATIONS PFUR405

- 16-1/4" overall size
- 7" bowl depth
- 14-1/8" bowl size
- 3-1/2" drain diameter
- Brushed satin finish



GENERAL SPECIFICATIONS PFUS301

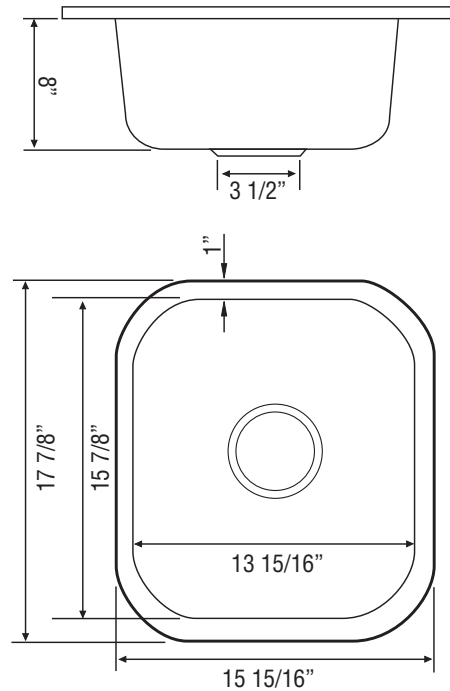
- 23-1/4" x 17-1/2" overall size
- 8" bowl depth
- 21-1/4" x 15-1/2" bowl size
- 3-1/2" drain diameter
- Brushed satin finish



- Seamless design
- Clips and template included
- Limited lifetime warranty
- Meets or exceeds ASME/ANSI A1 12.19.3m
- CSA/IAPMO approved

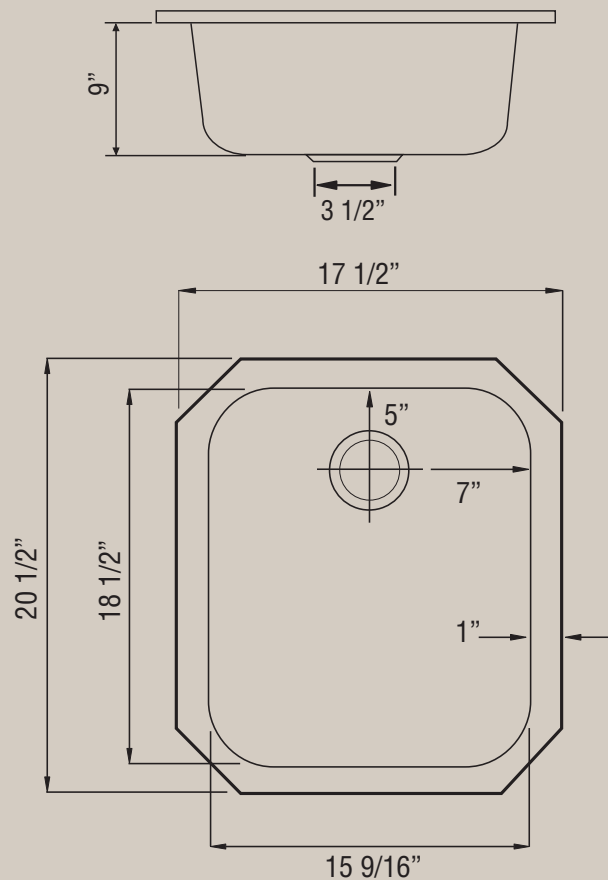
GENERAL SPECIFICATIONS PFUB109

- 15-15/16" x 17-7/8" overall size • 8" bowl depth
- 13-15/16" x 15-7/8" bowl size • 3-1/2" drain diameter
- Brushed satin finish



GENERAL SPECIFICATIONS PFUS303

- 17-1/2" x 20-1/2" overall size • 9" bowl depth
- 15-9/16" x 18-1/2" bowl size • 3-1/2" drain diameter
- Brushed satin finish

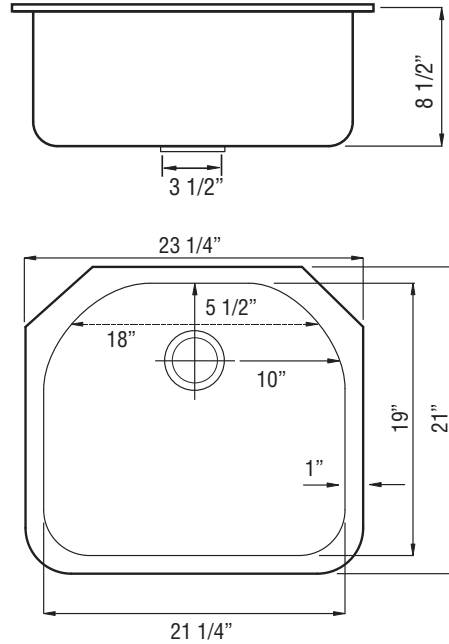


PFUS307 PFUS309

- Type 304 stainless steel
- 18 gauge
- Sound absorption pads and coating to minimize vibration and sound and increase durability

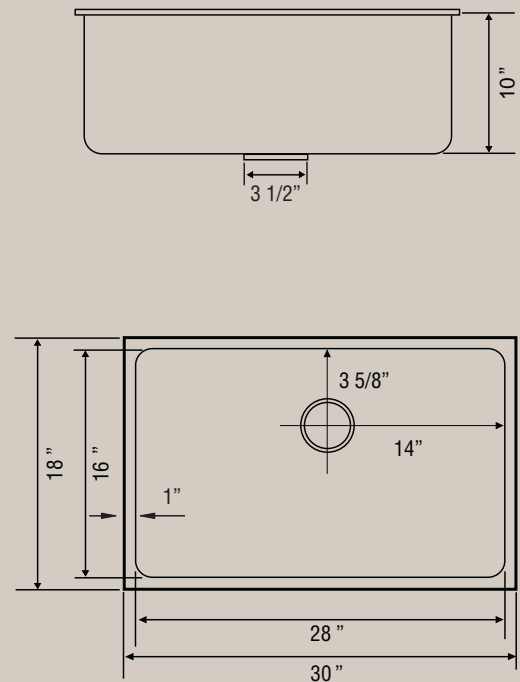
GENERAL SPECIFICATIONS PFUS307

- 23-1/4" x 21" overall size
- 8-1/2" bowl depth
- 21-1/4" x 19" bowl size
- 3-1/2" drain diameter
- Brushed satin finish



GENERAL SPECIFICATIONS PFUS309

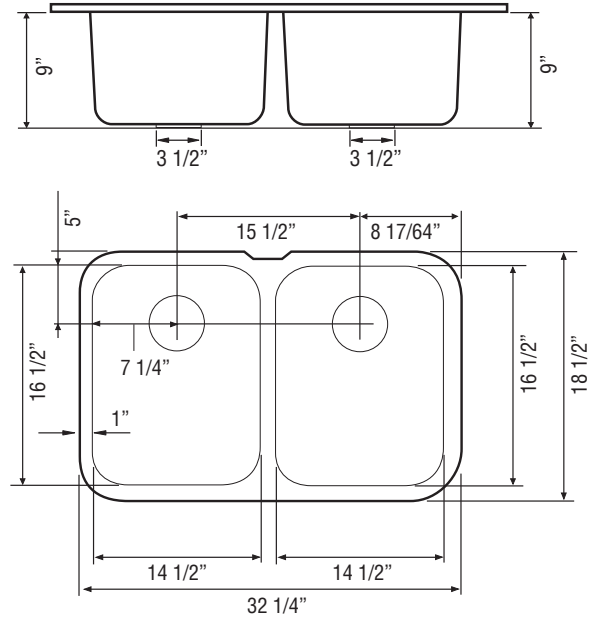
- 30" x 18" overall size
- 10" bowl depth
- 28" x 16" bowl size
- 3-1/2" drain diameter
- Brushed satin finish
- 16 gauge



- Seamless design
- Clips and template included
- Limited lifetime warranty
- Meets or exceeds ASME/ANSI A1 12.19.3m
- CSA/IAPMO approved

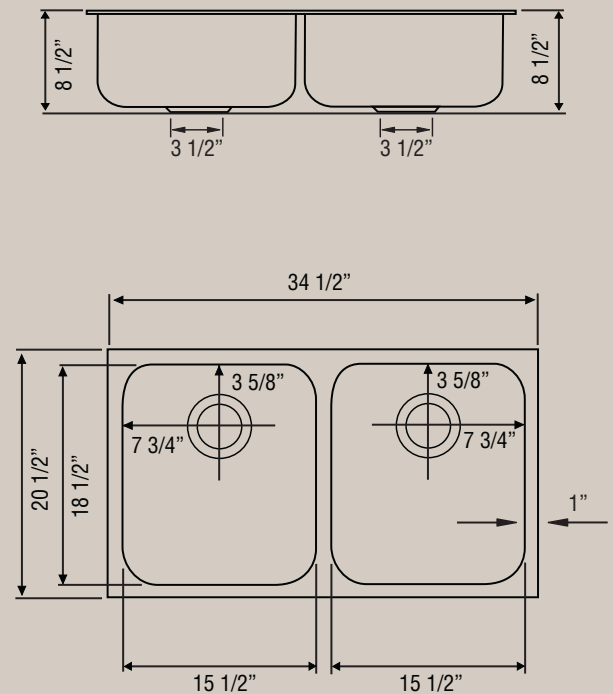
GENERAL SPECIFICATIONS PFUE206

- 32-1/4" x 18-1/2" overall size
- 9" bowl depth
- 14-1/2" x 16-1/2" bowl size
- 3-1/2" drain diameter
- Brushed satin finish



GENERAL SPECIFICATIONS PFUE208

- 34-1/2" x 20-1/2" overall size
- 8-1/2" bowl depth
- 15-1/2" x 18-1/2" bowl size
- 3-1/2" drain diameter
- Brushed satin finish

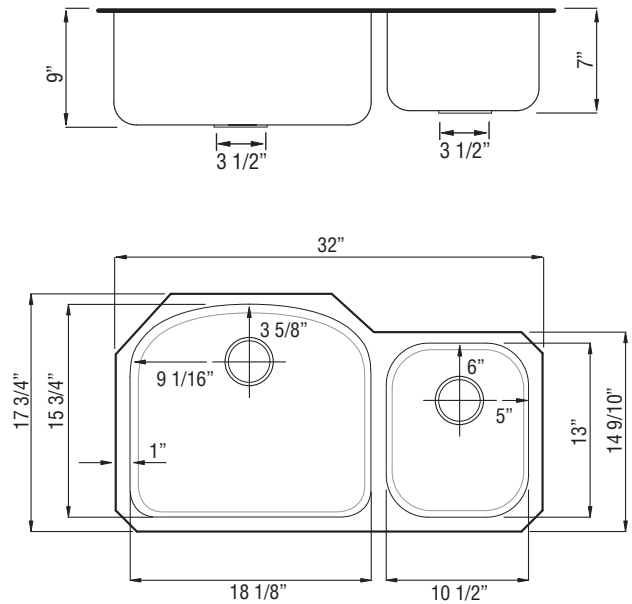


PFUO901 PFUO901R

- Type 304 stainless steel
- 18 gauge
- Sound absorption pads and coating to minimize vibration and sound and increase durability

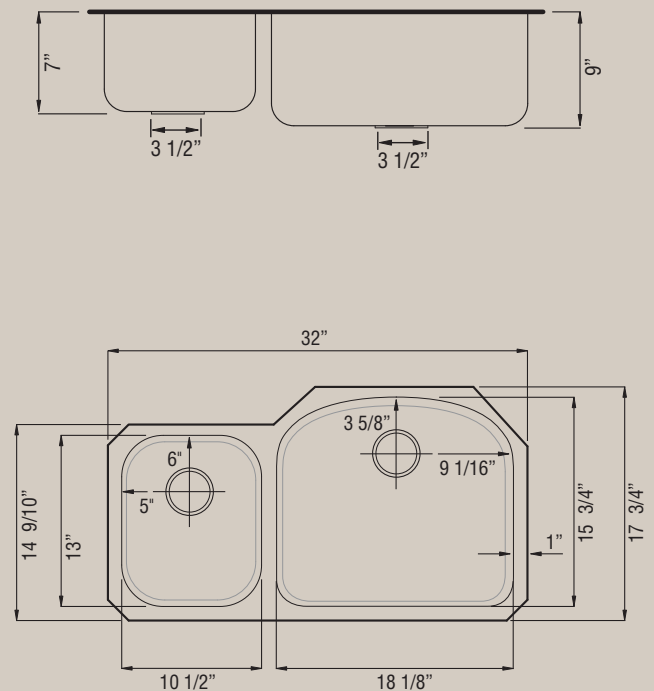
GENERAL SPECIFICATIONS PFUO901

- 32" x 17-3/4" overall size
- 10-1/2" x 13" bowl size (small)
- 18-1/8" x 15-3/4" bowl size (large)
- Brushed satin finish
- 7" bowl depth (small)
- 9" bowl depth (large)
- 3-1/2" drain diameter



GENERAL SPECIFICATIONS PFUO901R

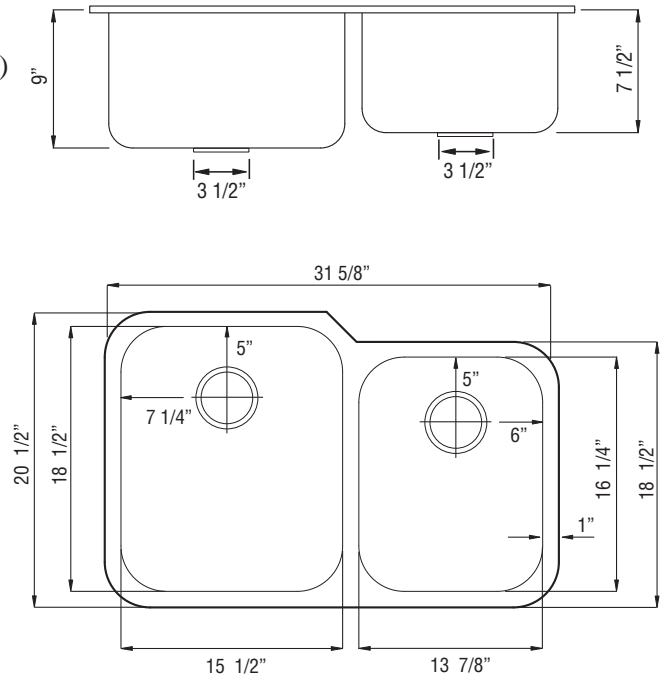
- 32" x 17-3/4" overall size
- 10-1/2" x 13" bowl size (small)
- 18-1/8" x 15-3/4" bowl size (large)
- Brushed satin finish
- 7" bowl depth (small)
- 9" bowl depth (large)
- 3-1/2" drain diameter



- Seamless design
- Clips and template included
- Limited lifetime warranty
- Meets or exceeds ASME/ANSI A1 12.19.3m
- CSA/IAPMO approved

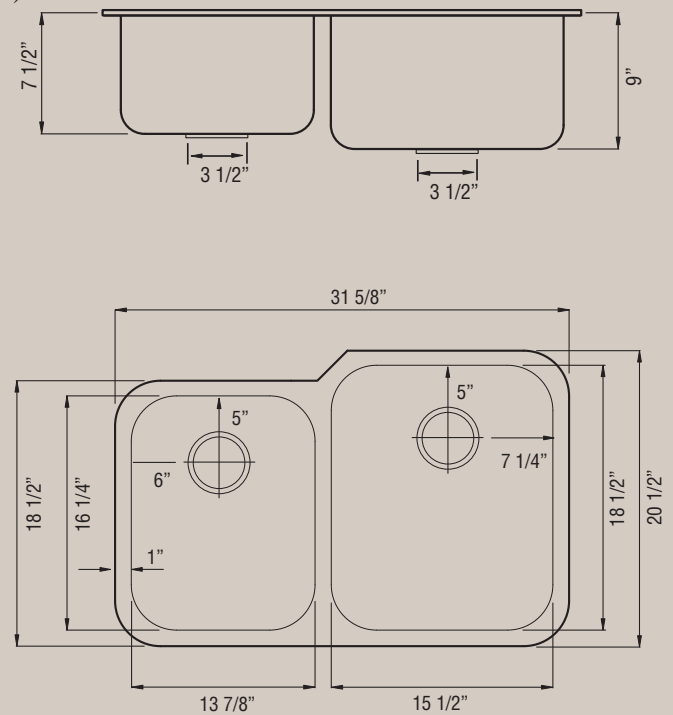
GENERAL SPECIFICATIONS PFUO907

- 31-5/8" x 20-1/2" overall size
- 7 1/2" bowl depth (small)
- 13-7/8" x 16-1/4" bowl size (small)
- 9" bowl depth (large)
- 15-1/2" x 18-1/2" bowl size (large)
- 3-1/2" drain diameter
- Brushed satin finish



GENERAL SPECIFICATIONS PFUO907R

- 31-5/8" x 20-1/2" overall size
- 7 1/2" bowl depth (small)
- 13-7/8" x 16-1/4" bowl size (small)
- 9" bowl depth (large)
- 15-1/2" x 18-1/2" bowl size (large)
- 3-1/2" drain diameter
- Brushed satin finish

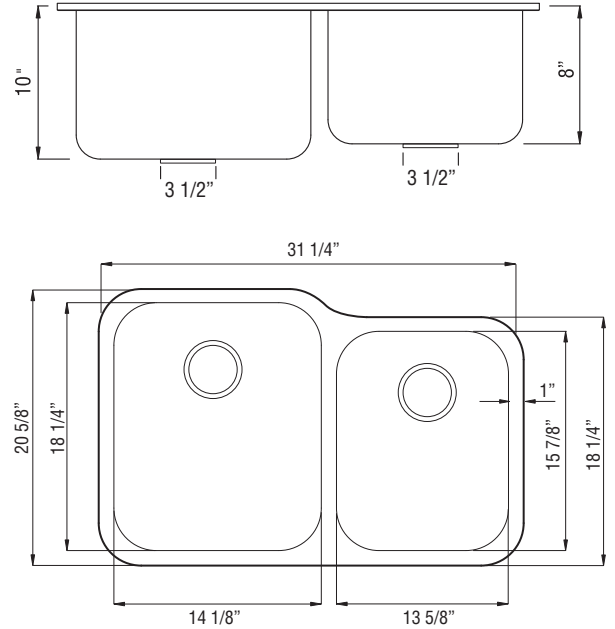


PFUC3220L PFUC3220R

- Type 304 stainless steel
- 18 gauge
- Sound absorption pads and coating to minimize vibration and sound and increase durability
- Seamless design
- Clips and template included
- Limited lifetime warranty
- Meets or exceeds ASME/ANSI A1 12.19.3m
- CSA/IAPMO approved

GENERAL SPECIFICATIONS PFUC3220L

- 31-1/4" x 20-5/8" overall size
- 13-5/8" x 15-7/8" bowl size (small)
- 14-1/8" x 18-1/4" bowl size (large)
- Polished finish
- 8" bowl depth (small)
- 10" bowl depth (large)
- 3-1/2" drain diameter



GENERAL SPECIFICATIONS PFUC3220R

- 31-1/4" x 20-5/8" overall size
- 13-5/8" x 15-7/8" bowl size (small)
- 14-1/8" x 18-1/4" bowl size (large)
- Polished finish
- 8" bowl depth (small)
- 10" bowl depth (large)
- 3-1/2" drain diameter

